

TRD

ANELLO RASCHIATORE TIPO TRD

Descrizione

I raschiatori tipo TRD sono composti da un elemento in PTFE+O-Ring che svolge tenuta nella parte statica e contemporaneamente ha un effetto energizzante sul raschiatore in assenza di pressione. Il TRD oltre ad avere un effetto raschiante della parte esterna del cilindro, ha la funzione di trattenere il film d'olio residuo dal lato interno dello stelo. Se viene utilizzata con una tenuta adeguata, permette di lavorare con ritorno idrodinamico nel cilindro.

Dati tecnici

Velocità: < 15 m/s
 Temperatura: da -30°C a + 100° C per il tipo standard con O-Ring in nitrile.
 Con punte fino a 120°C per periodi brevi.
 da -15°C a + 150° C per il tipo con o-rings in FKM.

Materiale

Per il tipo standard PTFE caricato a bronzo ed O-Ring in nitrile.
 Codice materiale: TN

Montaggio

Il montaggio risulta molto semplice in quanto è effettuato in cava semiaperta.
 Inserire L'O-ring nella sede e successivamente l'elemento in PTFE.
 Eliminare gli spigoli vivi e le bave nella sede.

TRD TYPE WIPER RING

Description

*The TRD wipers are made of a PTFE element and an O-Ring having a sealing effect in the static part and, at the same time has an energizing effect on wiper in the absence of pressure.
 The TRD also has a scraping effect on the outside of the Cylinder and maintains a residual oil film on the internal part of the rod.
 Used with proper sealing, allows the hydrodynamic return in the cylinder.*

Technical data

*Speed: < 15 m/s
 Temperature: from - 30° C to + 100° C for the standard type with nitrile O-Ring.
 Short peaks till +120° C
 from -15°C to +150°C with FKM o-rings*

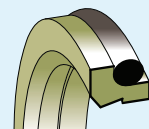
Material

*Bronze-filled PTFE for the standard type, and nitrile rubber NBR for the O-Ring.
 Compound reference: TN*

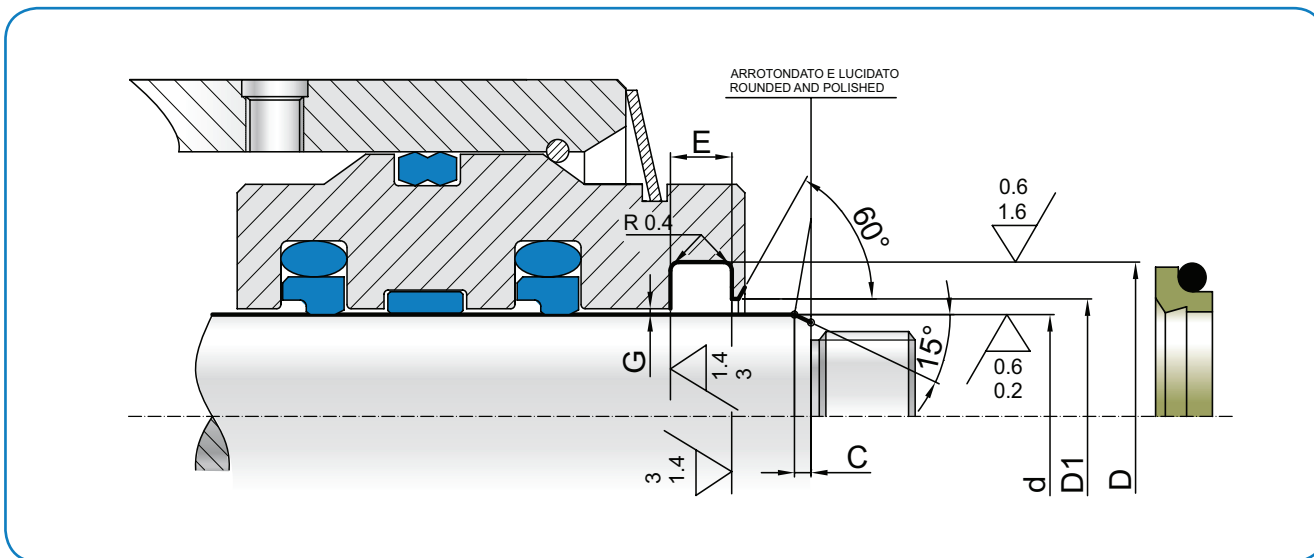
Assembling

*Easy assembling in semi-open groove.
 The O-Rings have to be fitted first into the groove and Then the PTFE element. Remove flashes and/or cutting edges in the groove.*

TRD



WSL
WSG
R09
WWS
WAT
TRD
WED
WEL



d _{f8}	D _{H9}	E _{+0,2}	O-	C	D ₃	ART / ITEM
4,0	8,8	3,7	009	5,0	5,5	TRD 0040 0088 037 TN
5,0	9,8	3,7	010	5,0	6,5	TRD 0050 0980 037 TN
7,0	11,8	3,7	011	5,0	8,5	TRD 0070 011 037 TN
8,0	12,8	3,7	012	5,0	9,5	TRD 0080 0128 037 TN
10,0	14,8	3,7	013	5,0	11,5	TRD 0100 0148 037 TN
12,0	18,8	5,0	113	5,0	13,5	TRD 0120 0188 050 TN
14,0	20,8	5,0	114	5,0	15,5	TRD 0140 0208 050 TN
15,0	21,8	5,0	115	5,0	16,5	TRD 0150 0218 050 TN
16,0	22,8	5,0	116	5,0	17,5	TRD 0160 0228 050 TN
18,0	24,8	5,0	117	5,0	19,5	TRD 0180 0248 050 TN
20,0	26,8	5,0	118	5,0	21,5	TRD 0200 0268 050 TN
24,0	30,8	5,0	120	5,0	25,5	TRD 0240 0308 050 TN
25,0	31,8	5,0	121	5,0	26,5	TRD 0250 0318 050 TN
26,0	32,8	5,0	122	5,0	27,5	TRD 0260 0328 050 TN
28,0	34,8	5,0	123	5,0	29,5	TRD 0280 0348 050 TN
30,0	36,8	5,0	124	5,0	31,5	TRD 0300 0368 050 TN
32,0	38,8	5,0	126	5,0	33,5	TRD 0320 0388 050 TN
35,0	41,8	5,0	127	5,0	36,5	TRD 0350 0418 050 TN
37,0	43,8	5,0	129	5,0	38,5	TRD 0370 0438 050 TN
38,0	44,8	5,0	130	5,0	39,5	TRD 0380 0448 050 TN
40,0	46,8	5,0	131	5,0	41,5	TRD 0400 0468 050 TN
42,0	48,8	5,0	132	5,0	43,5	TRD 0420 0488 050 TN
45,0	51,8	5,0	134	5,0	46,5	TRD 0450 0518 050 TN
48,0	54,8	5,0	136	5,0	49,5	TRD 0480 0548 050 TN
50,0	56,8	5,0	137	5,0	51,5	TRD 0500 0568 050 TN
52,0	58,8	5,0	138	5,0	53,5	TRD 0520 0588 050 TN
55,0	61,8	5,0	140	5,0	56,5	TRD 0550 0618 050 TN
58,0	64,8	5,0	142	5,0	59,5	TRD 0580 0648 050 TN
60,0	66,8	5,0	143	5,0	61,5	TRD 0600 0668 050 TN
65,0	73,8	6,0	231	5,0	66,5	TRD 0650 0738 060 TN

d _{f8}	D _{H9}	E _{+0,2}	O-	C	D ₃	ART / ITEM
70,0	78,8	6,0	233	5,0	71,5	TRD 0700 0788 060 TN
75,0	83,8	6,0	234	5,0	76,5	TRD 0750 0838 060 TN
80,0	88,8	6,0	236	5,0	81,5	TRD 0800 0888 060 TN
85,0	93,8	6,0	237	5,0	86,5	TRD 0850 0938 060 TN
90,0	98,8	6,0	239	5,0	91,5	TRD 0900 0988 060 TN
95,0	103,8	6,0	241	7,0	96,5	TRD 0950 1038 060 TN
100,0	108,8	6,0	242	7,0	101,5	TRD 1000 1088 060 TN
110,0	118,8	6,0	245	7,0	111,5	TRD 1100 1188 060 TN
120,0	128,8	6,0	249	7,0	121,5	TRD 1200 1288 060 TN
125,0	133,8	6,0	250	7,0	125,5	TRD 1250 1338 060 TN
130,0	138,8	6,0	252	7,0	131,5	TRD 1300 1388 060 TN
135,0	143,8	6,0	254	7,0	136,5	WAB 1350 1438 060 TN
140,0	148,8	6,0	255	7,0	141,5	TRD 1400 1488 060 TN
150,0	158,8	6,0	258	7,0	151,5	TRD 1500 1588 060 TN
155,0	163,8	6,0	259	7,0	156,5	TRD 1550 1638 060 TN
160,0	168,8	6,0	260	7,0	161,5	TRD 1600 1688 060 TN
170,0	178,8	6,0	261	7,0	171,5	TRD 1700 1788 060 TN
175,0	183,8	6,0	262	7,0	176,5	TRD 1750 1838 060 TN
180,0	188,8	6,0	263	7,0	181,5	TRD 1800 1888 060 TN
185,0	193,8	6,0	263	7,0	186,5	TRD 1850 1938 060 TN
190,0	198,8	6,0	264	7,0	191,5	TRD 1900 1988 060 TN
195,0	203,8	6,0	265	7,0	196,5	TRD 1950 2038 060 TN
200,0	208,8	6,0	266	10,0	201,5	TRD 2000 2088 060 TN
210,0	218,8	6,0	267	10,0	211,5	TRD 2100 2188 060 TN
220,0	228,8	6,0	269	10,0	221,5	TRD 2200 2288 060 TN
225,0	233,8	6,0	270	10,0	226,5	TRD 2250 2338 060 TN
230,0	238,8	6,0	271	10,0	231,5	TRD 2300 2388 060 TN
240,0	248,8	6,0	272	10,0	241,5	TRD 2400 2488 060 TN
250,0	258,8	6,0	274	10,0	251,5	TRD 2500 2588 060 TN
260,0	272,2	8,4	378	10,0	262,0	TRD 2600 2722 084 TN

OLEODINAMICA
HYDRAULIC