

WSL

RASCHIATORE STELO TIPO WSL

Descrizione

Il raschiatore tipo WSL ha un labbro raschiante molto flessibile nella parte dinamica e un labbro sporgente, più corto e molto robusto nella parte statica.

Questo profilo speciale, sia dal lato stelo sia dal lato esterno statico, impedisce alle impurità quali scorie acqua ed altro, di penetrare, cosa che andrebbe a danneggiare la guarnizione di tenuta ed a corrodere la parte interna del cilindro.

Dati tecnici

Velocità: < 1 m/s
 Temperatura: da - 35° C a + 100° C con punte fino a +110° C
 Fluidi: acqua a temperatura ambiente, oli minerali
 (vedi tabella 1 a pagina 12)

Materiale

I materiali utilizzati sono dei poliuretani che resistono agli agenti atmosferici, con alto modulo elastico e resistenti all'abrasione.

Il materiale standard è di durezza 93 Shore A ± 2. In alternativa è possibile utilizzare poliuretani di durezza superiore quando esistono condizioni gravose in ambienti molto inquinanti. In questo caso consultare il nostro ufficio tecnico.

Codice materiale: CO

Montaggio

Non presenta particolari problemi essendo in sede semiaperta collocata nella parte più vicina all'esterno del cilindro.

Si raccomanda di eliminare gli spigoli taglienti e le bave per non incidere il raschiatore durante il montaggio.

Per ulteriori informazioni leggere le istruzioni di montaggio a pag. 26.

WSL ROD WIPER

Description

The WSL wiper has a high flexible wiping lip on the dynamic side and a strong, shorter, protruding lip on the static side.

This special profile keeps the rod and the static side where it is

housed free from any impurity, waste or water. Impurities would damage the seal and corrode the inner part of the cylinder.

Technical data

Speed: < 1 m/s
 Temperature: from - 35° C to + 100° C with peaks till +110° C
 Fluids: water at room temperature, mineral oils
 (see table 1, page 12)

Material

The material used is a polyurethane with a high modulus of elasticity, low compression set and high wear resistance.

Its hardness is 93 Shore A ± 2.

Compound reference: CO

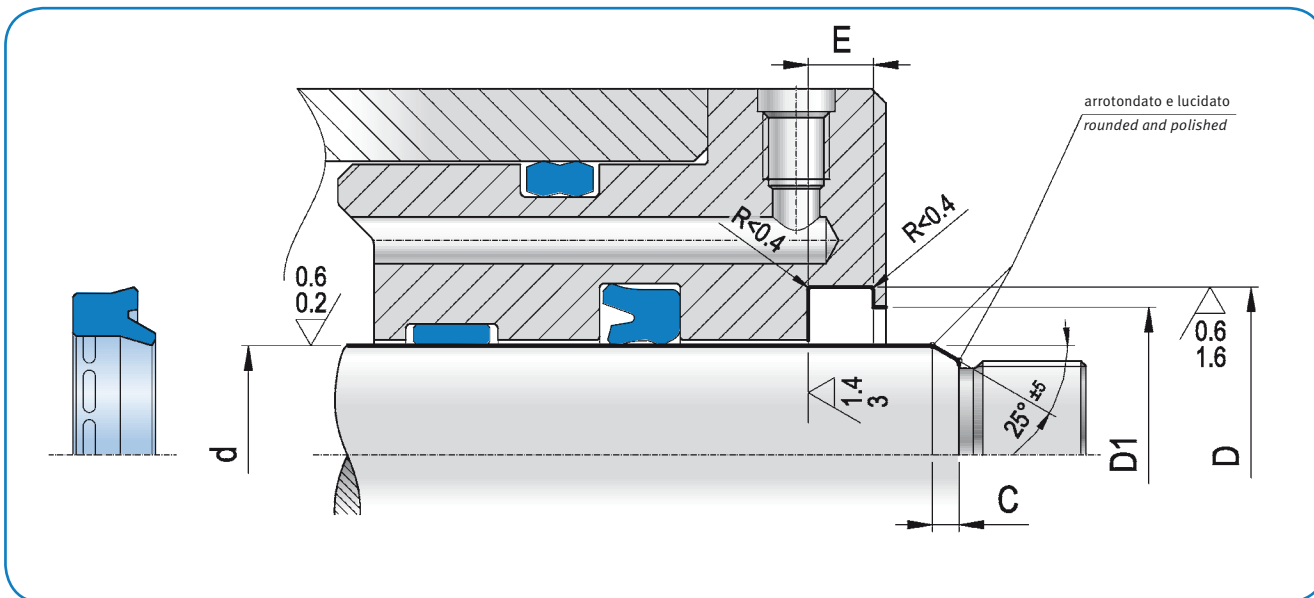
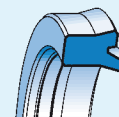
Assembling

It is not very problematic as it can be done in semi-open groove located in the nearest part outside the cylinder.

Remove cutting edges and flashes to avoid the scratching of the wiper during the installation.

For further information please refer to the installation instructions on page 26.

WSL

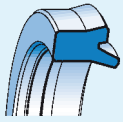


WSL
WSG
R09
WWS
WAT
TRD
WED
WEL

OLEODINAMICA
HYDRAULIC

d _{hg}	D _{H10}	E _{+0,2}	D _{10/+0,2}	ART / ITEM
5,0	12,0	2,8	8,0	WSL 0050 0120 028 CO
6,0	12,0	3,0	9,0	WSL 0060 0120 030 CO
8,0	14,6	3,8	11,0	WSL 0080 0146 038 CO
10,0	15,0	1,0	13,0	WSL 0100 0150 010 CO
10,0	16,6	3,8	13,0	WSL 0100 0166 038 CO
12,0	18,6	3,8	15,0	WSL 0120 0186 038 CO
13,0	19,6	3,8	16,0	WSL 0130 0196 038 CO
14,0	20,6	3,8	17,0	WSL 0140 0206 038 CO
15,0	21,6	3,8	18,0	WSL 0150 0216 038 CO
16,0	22,6	3,8	19,0	WSL 0160 0226 038 CO
18,0	24,6	3,8	21,0	WSL 0180 0246 038 CO
20,0	28,6	5,3	23,0	WSL 0200 0286 053 CO
22,0	30,6	5,3	25,0	WSL 0220 0306 053 CO
24,0	32,6	5,3	27,0	WSL 0240 0326 053 CO
25,0	33,6	5,3	28,0	WSL 0250 0336 053 CO
28,0	36,6	5,3	31,0	WSL 0280 0366 053 CO
30,0	38,0	5,3	33,0	WSL 0300 0380 053 CO
30,0	38,6	5,3	33,0	WSL 0300 0386 053 CO
32,0	40,6	5,3	35,0	WSL 0320 0406 053 CO
35,0	43,6	5,3	38,0	WSL 0350 0436 053 CO
36,0	44,6	5,3	39,0	WSL 0360 0446 053 CO
38,0	46,6	5,3	41,0	WSL 0380 0466 053 CO
40,0	48,6	5,3	43,0	WSL 0400 0486 053 CO
45,0	53,6	5,3	48,0	WSL 0450 0536 053 CO
46,0	54,6	5,3	49,0	WSL 0460 0546 053 CO
50,0	58,0	5,3	53,0	WSL 0500 0580 053 CO
50,0	58,6	5,3	53,0	WSL 0500 0586 053 CO

d _{hg}	D _{H10}	E _{+0,2}	D _{10/+0,2}	ART / ITEM
55,0	63,6	5,3	58,0	WSL 0550 0636 053 CO
55,0	65,6	5,3	58,0	WSL 0550 0656 053 CO
56,0	64,6	5,3	59,0	WSL 0560 0646 053 CO
60,0	68,0	5,3	63,0	WSL 0600 0680 053 CO
60,0	68,6	5,3	63,0	WSL 0600 0686 053 CO
60,0	70,0	5,0	63,0	WSL 0600 0700 050 CO
61,0	69,6	5,3	64,0	WSL 0610 0696 053 CO
63,0	71,6	5,3	66,0	WSL 0630 0716 053 CO
65,0	73,6	5,3	68,0	WSL 0650 0736 053 CO
70,0	78,6	5,3	73,0	WSL 0700 0786 053 CO
70,0	80,0	5,0	73,0	WSL 0700 0800 050 CO
70,0	82,2	7,1	76,0	WSL 0700 0822 071 CO
70,0	82,6	7,1	76,0	WSL 0700 0826 071 CO
75,0	83,6	5,3	78,0	WSL 0750 0836 053 CO
75,0	87,2	7,1	81,0	WSL 0750 0872 071 CO
76,0	84,6	5,3	79,0	WSL 0760 0846 053 CO
80,0	88,6	5,3	83,0	WSL 0800 0886 053 CO
80,0	90,2	7,1	83,0	WSL 0800 0902 071 CO
80,0	92,6	7,1	83,0	WSL 0800 0926 071 CO
85,0	93,6	5,3	88,0	WSL 0850 0936 053 CO
85,0	97,2	7,1	91,0	WSL 0850 0972 071 CO
90,0	102,2	7,1	96,0	WSL 0900 1022 071 CO
91,0	99,6	5,3	94,0	WSL 0910 0996 053 CO
95,0	107,2	7,1	101,0	WSL 0950 1072 071 CO
100,0	108,6	5,3	103,0	WSL 1000 1086 053 CO
100,0	112,2	7,1	106,0	WSL 1000 1122 071 CO
105,0	113,6	5,3	108,0	WSL 1050 1136 053 CO



WSL

d_{hg}	D_{H10}	$E_{+0,2}$	$D_{10/+0,2}$	ART / ITEM
105,0	117,2	7,1	111,0	WSL 1050 1172 071 CO
107,0	115,6	5,3	110,0	WSL 1070 1156 053 CO
110,0	118,6	5,3	113,0	WSL 1100 1186 053 CO
110,0	122,2	7,1	116,0	WSL 1100 1222 071 CO
115,0	127,2	7,1	121,0	WSL 1150 1272 071 CO
120,0	132,2	7,1	126,0	WSL 1200 1322 071 CO
125,0	137,2	7,1	131,0	WSL 1250 1372 071 CO
126,0	134,6	5,3	129,0	WSL 1260 1346 053 CO
130,0	142,2	7,1	136,0	WSL 1300 1422 071 CO
135,0	147,2	7,1	141,0	WSL 1350 1472 071 CO
140,0	152,2	7,1	146,0	WSL 1400 1522 071 CO
140,0	155,0	9,0	146,5	WSL 1400 1550 090 CO
145,0	157,2	7,1	151,0	WSL 1450 1572 071 CO
150,0	162,2	7,1	156,0	WSL 1500 1622 071 CO
160,0	172,2	7,1	166,0	WSL 1600 1722 071 CO

d_{hg}	D_{H10}	$E_{+0,2}$	$D_{10/+0,2}$	ART / ITEM
160,0	175,2	10,1	168,0	WSL 1600 1752 101 CO
170,0	185,2	10,1	178,0	WSL 1700 1852 101 CO
180,0	195,2	10,1	188,0	WSL 1800 1952 101 CO
180,0	200,2	10,2	183,0	WSL 1800 2002 102 CO
190,0	205,2	10,1	198,0	WSL 1900 2052 101 CO
200,0	215,2	10,1	208,0	WSL 2000 2152 101 CO
210,0	225,2	10,1	218,0	WSL 2100 2252 101 CO
220,0	235,2	10,1	228,0	WSL 2200 2352 101 CO
230,0	245,2	10,1	238,0	WSL 2300 2452 101 CO
240,0	255,2	10,1	248,0	WSL 2400 2552 101 CO
250,0	265,2	10,1	258,0	WSL 2500 2652 101 CO

Nota: altre dimensioni non a catalogo a richiesta. Consultare il nostro ufficio tecnico.

Remark: please contact our technical dept. for further dimensions not included in the catalogue.